



(12) **EUROPEAN PATENT APPLICATION**

(43) Date of publication:
24.07.2002 Bulletin 2002/30

(51) Int Cl.7: **G01N 33/487, B01L 9/00**

(21) Application number: **02076201.9**

(22) Date of filing: **11.02.1997**

(84) Designated Contracting States:
**AT BE CH DE DK ES FI FR GB GR IE IT LI LU MC
NL PT SE**

- **Moerman, Piet H. C.**
1980 Zemst (BE)
- **Slu, Ta**
Alhambra, CA 9180 (US)

(30) Priority: **13.02.1996 US 600449**

(62) Document number(s) of the earlier application(s) in
accordance with Art. 76 EPC:
97905915.1 / 0 880 407

(74) Representative: **Mercer, Christopher Paul et al**
Carpmaels & Ransford
43, Bloomsbury Square
London WC1A 2RA (GB)

(71) Applicant: **Inverness Medical Technology, Inc.**
Waltham, MA 02154 (US)

Remarks:

This application was filed on 27 - 03 - 2002 as a
divisional application to the application mentioned
under INID code 62.

(72) Inventors:
• **McAleer, Jerome F.**
Wantage, Oxfordshire OX12 0NR (GB)

(54) **Improved glucose monitor and test strip containers for use in same**

(57) A test meter of the type which receives a disposable test strip and a sample of bodily fluid from a patient and performs an electrochemical analysis of the amount of an analyte such as glucose in the sample includes a receptacle (7) for receiving a container (10) in which disposable test strips are provided, and a mechanism for reading information about the disposable test strips that is affixed to the container. For example, cali-

bration values can be applied to the container in the form of a machine readable bar-code, a magnetic stripe, a memory chip or as a resonant wire loop. By automatically obtaining calibration values from the container in which the strips are provided, the chances of using the wrong calibration information are greatly reduced. The container may also contain information readable by meter including the expiration date, and the number of test strips in the container.

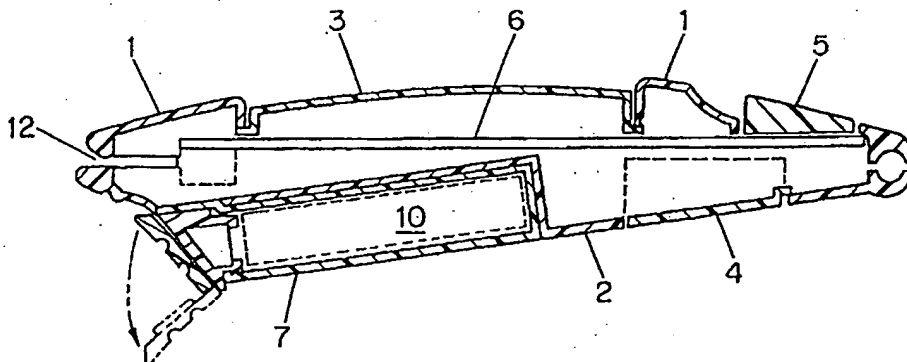


FIG. 1

Description**BACKGROUND OF THE INVENTION**

[0001] This application relates to an improved type of glucose monitor which is automatically calibrated for the particular test strips being used, and to test strip containers for use in such a monitor.

[0002] Glucose monitoring is a fact of everyday life for diabetic individuals, and the accuracy of such monitoring can literally mean the difference between life and death. To accommodate a normal life style to the need for frequent monitoring of glucose levels, a number of glucose meters are now available which permit the individual to test the glucose level in a small amount of blood. The success of these devices, however, depends on the ability of the user to obtain a correct reading.

[0003] Many of the meter designs currently available make use of a disposable test strip which in combination with the meter measures the amount of glucose in the blood sample electrochemically. Lot-to-lot variation during the manufacture of test strips requires that the user calibrate the system for each batch of strips. This is normally accomplished by inserting a calibration strip, provided with each package of test strips, into the meter. This process introduces the possibility of error as a result of failure of the user to perform the calibration procedures in the correct manner or at the correct times. In particular, errors in calibration can occur if a user opens a new package of test strips and fails to perform the calibration step or if a user has several packages of test strips open and confuses the calibration strips between the packages.

[0004] It is an object of the present invention to provide a meter, and particularly a glucose meter, which obviates the need for user initiated calibration.

[0005] It is a further object of the invention to provide a meter, and particularly a glucose meter, which reduces the likelihood of a test strip being used with the incorrect meter calibration.

SUMMARY OF THE INVENTION

[0006] These and other objects of the invention are provided by a test meter of the type which receives a disposable test strip and a sample of bodily fluid from a patient and performs an electrochemical analysis of the amount of an analyte, for example glucose, in the sample that includes a receptacle for receiving a container in which disposable test strips are provided, and a mechanism for reading calibration values calibration values specific to the disposable test strips that are affixed to the container. For example, calibration values can be applied to the container in the form of a machine readable bar-code, a magnetic stripe, a memory chip or as a resonant wire loop. By automatically obtaining calibration values from the container in which the strips are provided, the chances of using the wrong calibration in-

formation are greatly reduced.

[0007] In addition to calibration values, the container may contain additional information readable by the meter which will enhance the safety of the individual using the device. For example, the container may include a machine readable expiration date, which would permit the meter to either give a warning or to refuse to process a test strip which was beyond its expiration date. In addition, the container may include information about the number of test strips in the container. Since any effort to process more strips than were originally supplied in the container would in all likelihood result in the use of the wrong calibration codes, a warning or refusal to process the strip would be appropriate in this instance as well.

BRIEF DESCRIPTION OF THE DRAWINGS**[0008]**

Fig. 1 shows a cross section of a glucose meter in accordance with the invention;
 Fig. 2 shows a top view of a glucose meter in accordance with the invention;
 Fig. 3 shows one embodiment of a receptacle for receiving a container of test strips in accordance with the invention;
 Fig. 4 shows one embodiment of a receptacle for receiving a container of test strips in accordance with the invention;
 Fig. 5 shows the functional parts of a meter in accordance with the invention schematically;
 Figs 6A - 6E illustrate the operation of several embodiments of the inventions; and
 Fig. 7 shows a container in accordance with the invention.

DETAILED DESCRIPTION OF THE INVENTION

[0009] Figs. 1 and 2 shows a meter in accordance with the invention. The meter has a top housing member 1 and a bottom housing member 2. Bottom housing member 2 has a receptacle 7 affixed thereto for receiving a container 10 of test strips. Bottom housing member 2 also has an opening for receiving batteries to power the meter which is sealed in use by battery cover 4. Top housing member 1 has openings formed therein for a liquid crystal or light emitting diode display 3, and for control buttons 5. In addition, top housing member 1 and bottom housing member 2 taken together form a slot 12 into which a test strip is inserted for measurement of glucose.

[0010] Fig. 3 shows a detailed view of one embodiment of a receptacle for a test strip container in accordance with the present invention. The receptacle 7 is open at the front end 31 to receive a test strip container and has a retractable catch 32 for holding the container in position in the receptacle. On one surface of the re-

ceptacle 7 is an opening 33 through which machine-readable characters, e.g. a bar code, printed on the container can be read. Although the receptacle 7 in Fig. 3 is shown as a regular shape, it may be desirable to make the container and the receptacle of corresponding asymmetrical shapes to ensure alignment of the machine-readable characters with the opening.

[0011] Fig. 4 shows a cross section of an alternative embodiment of the receptacle 7. In this embodiment, a line of electrical contacts 41 are arranged to engage with a corresponding set of contacts on the container to that information stored on a chip built into the container can be made. The contacts 41 are in turn connected to the meter for processing of the information.

[0012] Fig. 5 shows a functional parts of the glucose meter of the invention schematically for purposes of understanding the operation of the invention. As shown, coded information 50 recorded on a test strip container 10 disposed within receptacle 7 is functionally connected to means 51 for reading the information affixed to the container. The means for reading the information must, of course, be compatible with the manner in which the information 50 is recorded on the container. Thus, for example, in the case of information recorded in a bar-code format, the means 51 for reading the information affixed to the container will be a bar-code reader. For a magnetic strip, the means 51 will be a magnetic stripe reader. In the case where the information on the container is recorded in a memory chip, for example a "TOUCH MEMORY" chip manufactured by Dallas Semiconductor or other semiconductor device capable of storing information for retrieval by a remote device, the means 51 for reading the information is a microprocessor which sends a query to the chip and receives back a signal reflecting the stored contents of the chip. In the case where the information is stored as a resonating wire loop, the resonating frequency of which indicates the information, the means 51 for reading the information is an rf generator and detector which scans across possible resonance frequencies and monitors for a resonant emission from the wire loop.

[0013] The means 51 for reading the information is functionally connected to a microprocessor 52 for controlling the device. When the user depresses the start key 5, the microprocessor 52 queries the means 51 for reading the information from the container and either evaluates the sample which has placed in the slot 12, evaluates the sample with a warning to the user, or refuses to evaluate the sample. If the sample is evaluated, with or without a warning, the microprocessor receives output from the electrodes 53 on the test strip, applies the calibration factors received from the means 51 for reading the information from the container, and causes the resulting glucose level to be displayed on display 3.

[0014] Figs. 6 A - E illustrate several variations of information 50 which can be recorded on a container in accordance with the present invention, and the ways in

which the microprocessor 52 can make use of the recorded information. In Fig. 6A, the information 50 recorded on the container is simply the calibration values for the test strips in the container. In this case, the microprocessor 52 simply applies the calibration values to the raw electrode output and converts it to a digital value, to arrive at a calibrated glucose display.

[0015] In Fig. 6B, the information 50 recorded on the container includes both the calibration values and the number of test strips originally in the container. Microprocessor 52 maintains a register 60 in which a counter X is stored. The counter X is set to zero whenever a new container is loaded into the receptacle 7, and is incremented each time a test strip is evaluated. Each time the meter is used, the microprocessor 52 compares the value of X stored in register 60 to the number of test strips originally in the container. If the X is less than or equal to the original number of test strips, the microprocessor operates in a normal manner and a calibrated glucose value is displayed. If X is greater than the original number of strips, the microprocessor generates an error signal. This error signal may cause the meter to provide a result together with a warning that the result is suspect, or may cause the microprocessor to refuse to display a result at all.

[0016] Fig. 6C shows an embodiment in which the information 50 recorded on the container includes calibration values and an expiration or manufacturing date. In this case, the microprocessor 52 includes a clock 61 which is set initially by the user or by the factory and which is incremented automatically by the microprocessor to maintain the date accurately. The microprocessor 52 compares the expiration date recorded on the container to the clock, and acts in one of three ways depending on the results of this comparison. As shown, when the actual date is before the expiration date by some pre-determined threshold amount, for example 10 days, the microprocessor 52 simply generates a calibrated glucose display. When the actual date is closer to the expiration date than the predetermined threshold, and perhaps for several days after the expiration date, the microprocessor 52 generates a low level error signal which causes the meter to display a calibrated glucose reading along with a warning. Thereafter, the microprocessor generates a high level error signal which results in the meter refusing to provide a reading.

[0017] A variation on the embodiment shown in Fig. 6C would use the clock to also monitor the time since the container was placed in the receptacle. In this case, as shown in Fig. 6D, the microprocessor would also include a storage register 64 in which the date on which a new container is placed in the receptacle is stored. In addition to checking the expiration date, the microprocessor 52 would also compare the current date to the date stored in register 62. If this difference were greater than a predetermined threshold level, the meter would generate a warning and/or refuse to operate. This embodiment is particularly useful where the shelf life of the

test strips in the sealed container is longer than the shelf life after the container has been opened for first use. In addition, by generating a warning when a container of strips is lasting longer than expected, the meter could provide a reminder that tests need to be performed on a regular basis.

[0018] Fig. 6E shows a further embodiment of the invention in which the information 50 stored on the container includes both calibration values and the identification of the analyte for which the strip is intended. This embodiment is particularly useful where disposable test strips for several analytes, for example glucose and ketones can be evaluated in the same meter but require different processing of the raw data to obtain optimum results.

[0019] The various types of information and the resulting processing options depicted in the Figs 6A-6E can be used in any combination. Thus, for example, a container in accordance with the invention might include calibration values, analyte ID and expiration date; calibration values, number of strips and expiration date; number of strips and expiration date; or any other combination of information types.

[0020] While the checks described above will greatly reduce the chances of using incorrect calibration values or out-of-date test strips, it may also be advantageous to provide the ability to deactivate the information stored on the container so that it cannot be used beyond a certain point. For example, deactivation of the container after a number of tests had been run equal to the number of strips into the container would eliminate the possibility that an individual might place additional test strips which did not match the calibration values of the container.

[0021] The mechanism of deactivation, like the mechanism for reading the information depends on the manner in which the information is stored. For example, in the case of a bar-code, the information might be rendered unreadable by exposing a photosensitive region to light which causes a color change for example to alter the bar code to an unreadable pattern. For an emitter loop, a fusible link can be included which is fused by a pulse of an appropriate frequency, render the shorting the emitter loop and rendering it inoperative. In the case of a programmable memory chip, deactivation might be accomplished by writing over a portion of the stored information, or by inducing a magnetic field near the chip of sufficient magnitude to render the stored information meaningless, and therefore unreadable. The generation of a magnetic field will also render a magnetic stripe inoperative.

[0022] A further aspect of the present invention is the containers which can be used in the meter according to the invention. As shown in Fig. 7, such a container generally comprises a sealable body member 70 for receiving at least one glucose test strip; and machine-readable means 71 for storing information specific to disposable test strips provided in the container. As will be apparent from the foregoing discussion of the alternative

reading means which can be included in a meter according to the invention, the machine readable means 71 can be a bar-code, a memory chip, or a resonant wire loop, or any other form of machine readable storage which can be adapted for use in a small device of the type claimed.

Claims

1. A test meter of the type which receives a disposable test strip and a sample of bodily fluid from a patient and performs an electrochemical analysis of the amount of an analyte in the sample, **characterized in that** the meter comprises
 - (a) a receptacle for receiving a container in which disposable test strips are provided, said container having affixed thereto information specific to the disposable test strips provided in the container in a form readable by the test meter;
 - (b) means for reading the information affixed to the container.
2. The test meter according to claim 1, wherein the means for reading the information comprises a bar-code reader.
3. The test meter according to claim 1, wherein the means for reading the information comprises a radio frequency emitter and receiver effective to evaluate a resonant wire loop used to store information specific to the test strips in the container.
4. The test meter according to claim 1, wherein the means for reading the information comprises a microprocessor for retrieving information from a memory chip used to store information specific to the test strips in the container.
5. The meter according to any of claims 1 to 4, wherein the information specific to the disposable test strip includes calibration values for the disposable test strips, and wherein the meter further comprises means for applying the calibration values to a raw data value to produce a calibrated value for the amount of analyte.
6. The meter according to claim 5, further comprising means for displaying the calibrated value for the amount of analyte.
7. The meter according to any of claims 1 to 6, wherein the information specific to the disposable test strip includes the number of test strips originally provided in the container, and the meter further comprises a data storage register for storing a value equal to the

number of test strips used from the container and means for generating an error signal whenever the value stored in the data storage register exceed the number of test strips originally provided in the container.

8. The meter according to any of claims 1 to 7, wherein the information specific to the disposable test strip includes the expiration date of test strips provided in the container, and the meter further comprises a data storage register for storing the current date and means for generating an error signal whenever the value stored in the data storage register is later than the expiration date of the test strips provided in the container.

9. The meter according to claim 8, wherein the means for generating an error signal generates a low level error signal which causes the meter to display a calibrated result and a warning when the date stored in the data register is within some predetermined number of days before or after the expiration date, and a high level error signal which causes the meter to refuse to display a calibrated result when the date stored in the data register is more than the predetermined number of days after the expiration date.

10. The meter according to any of claims 1 to 9, further comprising means for rendering the information affixed to the container unreadable when a predetermined set of conditions is met.

11. The meter according to any of claims 1 to 10, wherein the analyte is glucose.

12. A container for disposable test strips for use in a test meter of the type which receives a disposable test strip and a sample of bodily fluid from a patient and performs an electrochemical analysis of the amount of an analyte in the sample, comprising

- (a) a sealable body member for receiving at least one test strip; and
- (b) machine-readable means for storing information specific to disposable test strips provided in the container.

13. The container according to claim 12, wherein the machine-readable means is a bar-code.

14. The container according to claim 12, wherein the machine-readable means is a memory chip.

15. The container according to claim 12, wherein the machine-readable means is a resonant wire loop.

16. The container according to claim 12, wherein the machine-readable means is a magnetic stripe.

17. The container according to any of claim 12 to 16, further comprising means for rendering the machine-readable means unreadable in response to an externally applied signal.

18. The container according to any of claims 12 to 17, wherein the information specific to the test strips includes calibration values for the test strips.

19. The container according to any of claims 12 to 18, wherein the information specific to the test strips includes the number of test strips originally provided in the container.

20. The container according to any of claims 12 to 19, wherein the information specific to the test strips includes the expiration date of the test strips provided in the container.

5

10

15

20

25

30

35

40

45

50

55

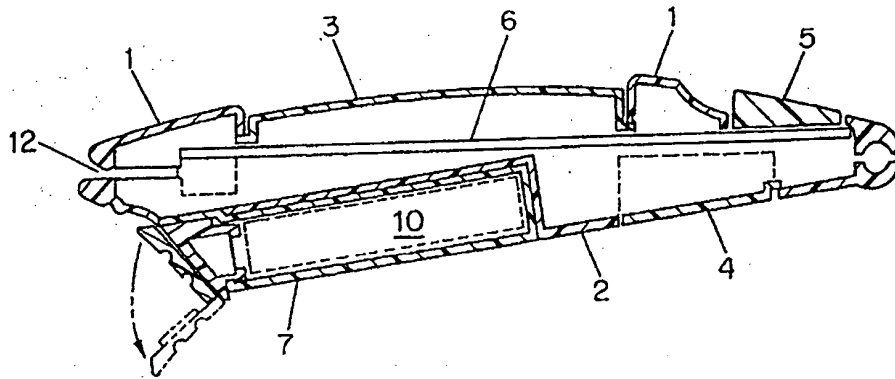


FIG. 1

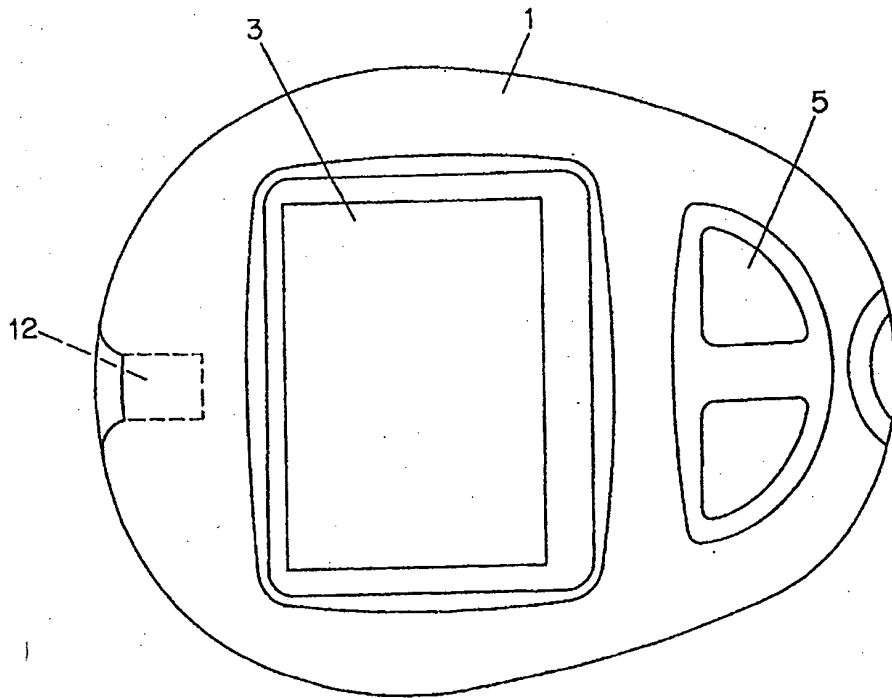


FIG. 2

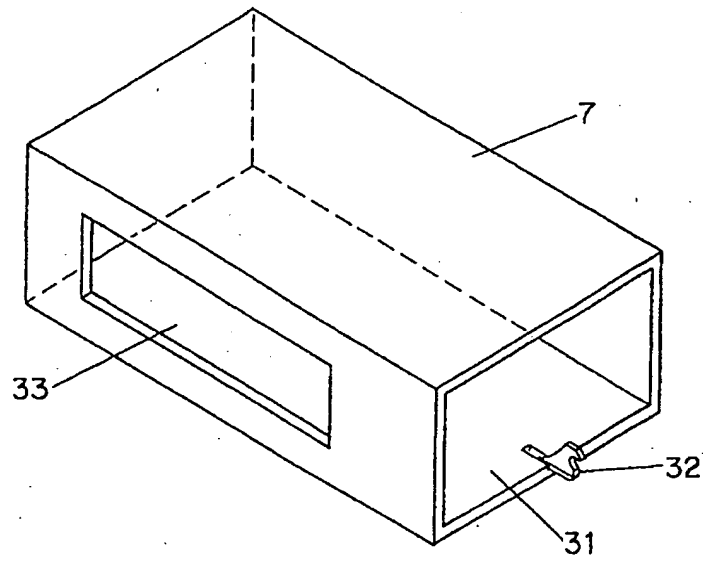


FIG. 3

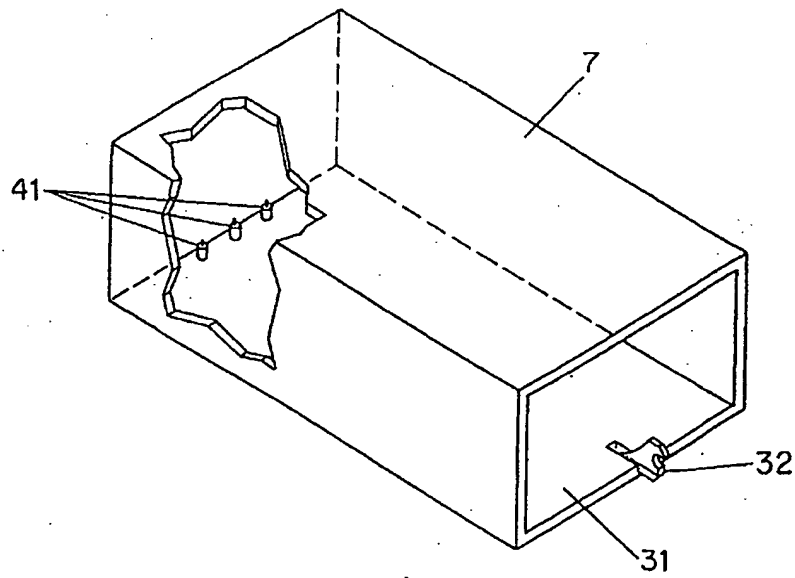


FIG. 4

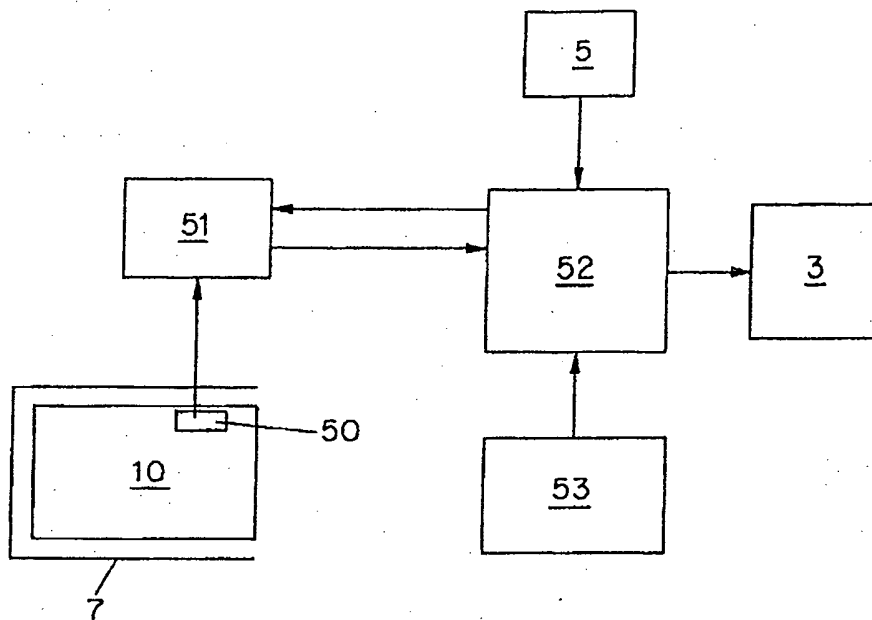


FIG. 5

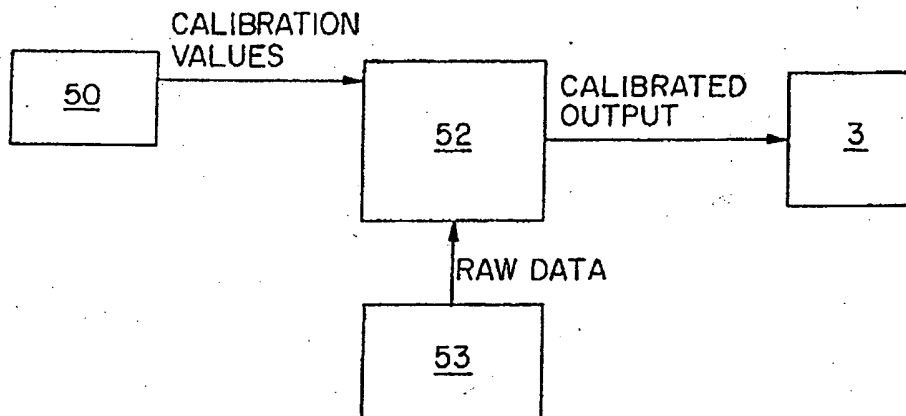


FIG. 6A

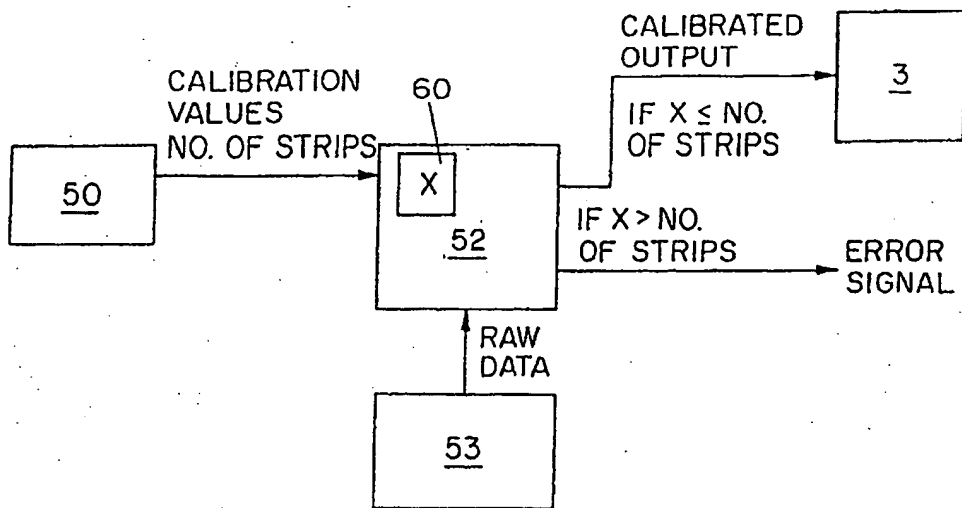


FIG. 6B

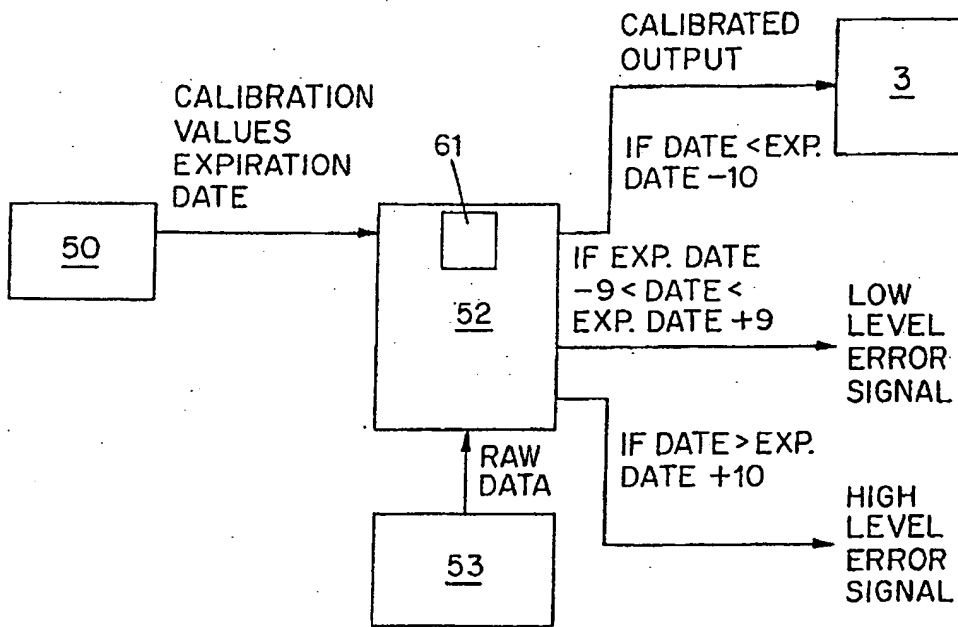


FIG. 6C

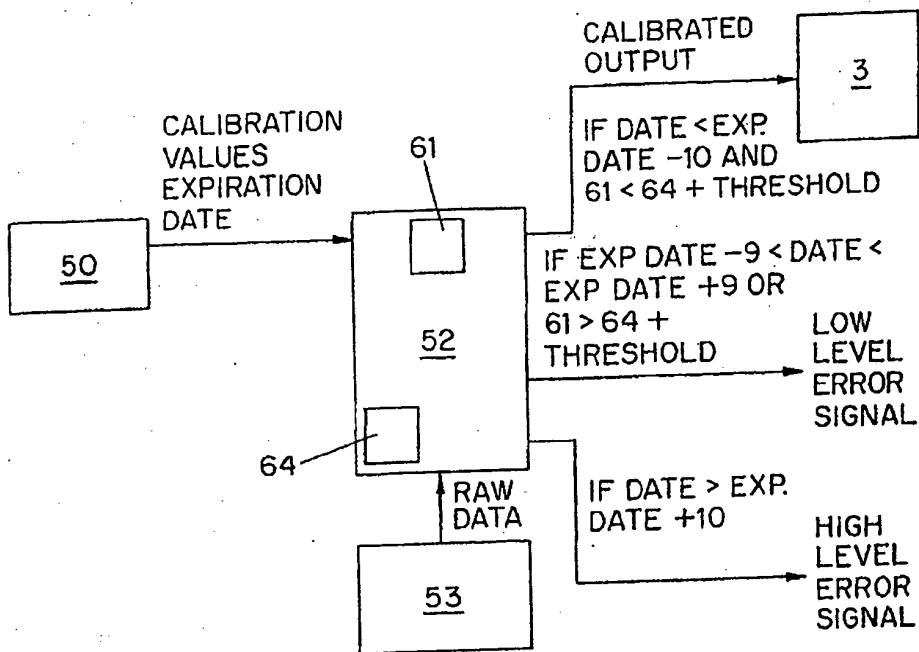


FIG. 6D

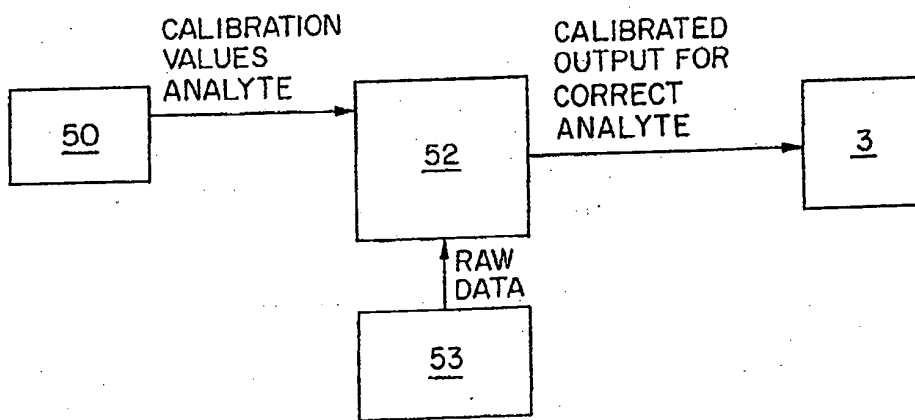


FIG. 6E

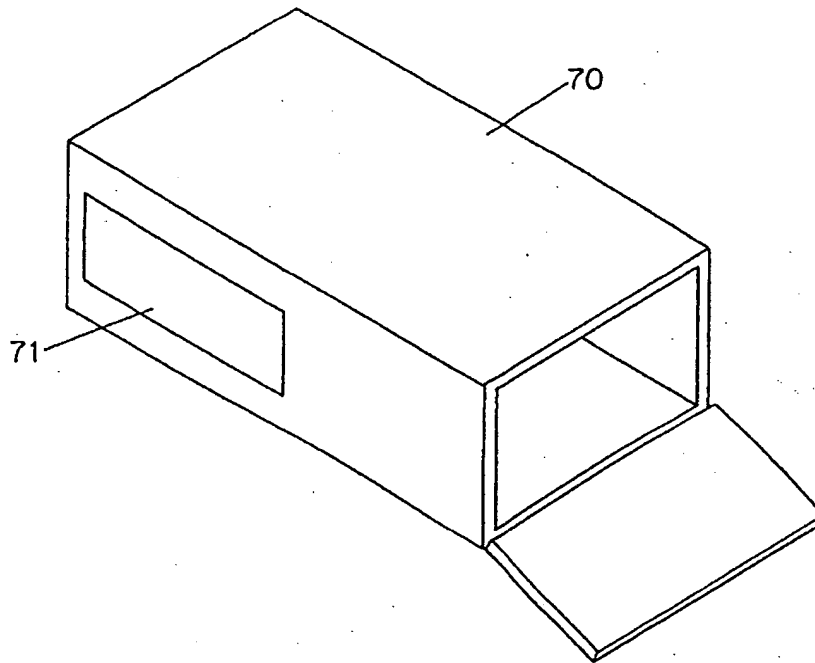


FIG. 7



(12) **EUROPEAN PATENT APPLICATION**

(88) Date of publication A3:
28.08.2002 Bulletin 2002/35

(51) Int Cl.7: **B01L 11/00, G01N 33/487,
B01L 9/00**

(43) Date of publication A2:
24.07.2002 Bulletin 2002/30

(21) Application number: 02076201.9

(22) Date of filing: 11.02.1997

(84) Designated Contracting States:
**AT BE CH DE DK ES FI FR GB GR IE IT LI LU MC
NL PT SE**

(30) Priority: 13.02.1996 US 600449

(62) Document number(s) of the earlier application(s) in
accordance with Art. 76 EPC:
97905915.1 / 0 880 407

(71) Applicant: **Inverness Medical Technology, Inc.**
Waltham, MA 02154 (US)

(72) Inventors:

- **McAleer, Jerome F.**
Wantage, Oxfordshire OX12 0NR (GB)
- **Moerman, Piet H. C.**
1980 Zemst (BE)
- **Siu, Ta**
Alhambra, CA 9180 (US)

(74) Representative: **Mercer, Christopher Paul et al**
Carpmaels & Ransford
43, Bloomsbury Square
London WC1A 2RA (GB)

(54) **Improved glucose monitor and test strip containers for use in same**

(57) A test meter of the type which receives a disposable test strip and a sample of bodily fluid from a patient and performs an electrochemical analysis of the amount of an analyte such as glucose in the sample includes a receptacle (7) for receiving a container (10) in which disposable test strips are provided, and a mechanism for reading information about the disposable test strips that is affixed to the container. For example, cali-

bration values can be applied to the container in the form of a machine readable bar-code, a magnetic stripe, a memory chip or as a resonant wire loop. By automatically obtaining calibration values from the container in which the strips are provided, the chances of using the wrong calibration information are greatly reduced. The container may also contain information readable by meter including the expiration date, and the number of test strips in the container.

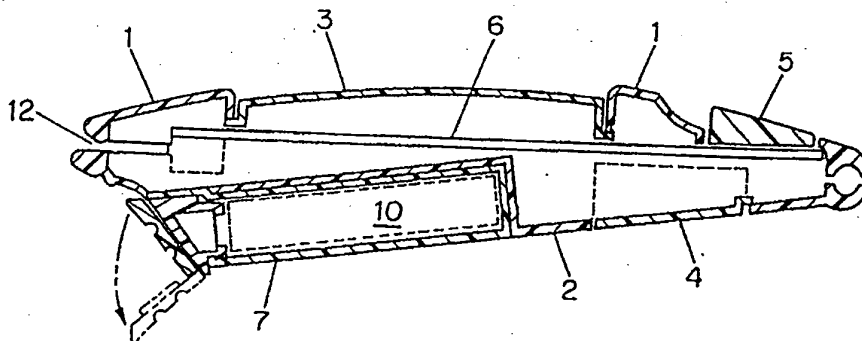


FIG. 1



European Patent Office

EUROPEAN SEARCH REPORT

Application Number
EP 02 07 6201

DOCUMENTS CONSIDERED TO BE RELEVANT			
Category	Citation of document with indication, where appropriate, of relevant passages	Relevant to claim	CLASSIFICATION OF THE APPLICATION (In.CI.7)
X	US 5 489 414 A (SCHREIBER JOERG ET AL) 6 February 1996 (1996-02-06) * column 2, line 15 - line 26 * * column 4, line 58 - line 60 * * column 4, line 65 - column 5, line 12 *	1-4	B01L11/00 G01N33/487 B01L9/00
Y	US 5 277 870 A (FULLER) 11 January 1994 (1994-01-11) * column 1, line 29 - line 33 * * column 1, line 49 - line 53 * * column 1, line 63 - column 2, line 23 *	1	
Y	US 4 303 887 A (HILL JEREMY R ET AL) 1 December 1981 (1981-12-01) * page 1, line 58 - page 2, line 20 * * column 12, line 25 - line 28; figure 1 *	1	
A	EP 0 640 393 A (BOEHRINGER MANNHEIM GMBH) 1 March 1995 (1995-03-01)	1-5	
X	* column 4, line 23 - line 31 *	12	
A	US 4 852 025 A (HERPICHBOEHM BERND) 25 July 1989 (1989-07-25) * column 2, line 7 - line 47 * * column 3, line 50 - line 60 * * column 12, line 25 - line 32; figure 6 *	1,5	TECHNICAL FIELDS SEARCHED (In.CI.7) B01L
A	WO 94 10558 A (ENVIROMED PLC ;FRIEDLANDER URI (GB); HIGGINS IRVING JOHN (GB); COS) 11 May 1994 (1994-05-11) * page 1, line 1 - line 6 * * page 2, paragraph 4 * * page 4, paragraph 2 - paragraph 3 * * page 6 *	1	
-/--			
The present search report has been drawn up for all claims			
Place of search THE HAGUE		Date of completion of the search 2 July 2002	Examiner Hocquet, A
CATEGORY OF CITED DOCUMENTS X : particularly relevant if taken alone Y : particularly relevant if combined with another document of the same category A : technological background O : non-written disclosure P : intermediate document		T : theory or principle underlying the invention E : earlier patent document, but published on, or after the filing date D : document cited in the application L : document cited for other reasons & : member of the same patent family, corresponding document	

EPO FORM 1603 03 02 (P/AC/01)



European Patent
Office

EUROPEAN SEARCH REPORT

Application Number
EP 02 07 6201

DOCUMENTS CONSIDERED TO BE RELEVANT			
Category	Citation of document with indication, where appropriate, of relevant passages	Relevant to claim	CLASSIFICATION OF THE APPLICATION (Int.Cl.7)
A	CH 677 149 A (DISETRONIC AG) 15 April 1991 (1991-04-15) * column 2, line 25 - column 3, line 58 *	8-10, 17, 20	
A	* column 4, line 15 - line 19 * * column 4, line 49 - line 53 *	1, 12	
X	EP 0 567 067 A (FUJI PHOTO FILM CO LTD) 27 October 1993 (1993-10-27) * column 1, line 1 - line 13 * * column 2, line 15 - line 20 * * column 9, line 1 - line 40 * * column 14, line 41 - line 52 * * column 22, line 8 - line 17 *	12-16, 18, 20	
The present search report has been drawn up for all claims			TECHNICAL FIELDS SEARCHED (Int.Cl.7)
Place of search THE HAGUE		Date of completion of the search 2 July 2002	Examiner Hocquet, A
<p>CATEGORY OF CITED DOCUMENTS</p> <p>X : particularly relevant if taken alone Y : particularly relevant if combined with another document of the same category A : technological background O : non-written disclosure P : intermediate document</p> <p>T : theory or principle underlying the invention E : earlier patent document, but published on, or after the filing date D : document cited in the application L : document cited for other reasons & : number of the same patent family, corresponding document</p>			

EPC FORM 1503 (12.94) (P.04/01)

ANNEX TO THE EUROPEAN SEARCH REPORT
ON EUROPEAN PATENT APPLICATION NO.

EP 02 07 6201

This annex lists the patent family members relating to the patent documents cited in the above-mentioned European search report. The members are as contained in the European Patent Office EDP file on
The European Patent Office is in no way liable for these particulars which are merely given for the purpose of information.

02-07-2002

Patent document cited in search report		Publication date		Patent family member(s)	Publication date
US 5489414	A	06-02-1996	DE	4313252 A1	27-10-1994
			DE	4328816 A1	02-03-1995
			AT	186232 T	15-11-1999
			DE	59408870 D1	09-12-1999
			DE	59410066 D1	11-04-2002
			DK	622119 T3	10-04-2000
			EP	1130383 A1	05-09-2001
			EP	0622119 A1	02-11-1994
			EP	0622626 A2	02-11-1994
			ES	2139684 T3	16-02-2000
			JP	2594020 B2	26-03-1997
			JP	6308115 A	04-11-1994
			JP	2768899 B2	25-06-1998
			JP	6313765 A	08-11-1994
			US	5645798 A	08-07-1997
			US	5720924 A	24-02-1998
			US	5863800 A	26-01-1999
US 5277870	A	11-01-1994	US	5174963 A	29-12-1992
US 4303887	A	01-12-1981	CA	1153580 A1	13-09-1983
			CA	1152772 A2	30-08-1983
			DE	3040233 A1	17-09-1981
			FR	2468945 A1	08-05-1981
			FR	2476350 A1	21-08-1981
			GB	2069702 A ,B	26-08-1981
			GB	2077927 A ,B	23-12-1981
JP	56079242 A	29-06-1981			
EP 0640393	A	01-03-1995	DE	4328815 A1	02-03-1995
			AT	180419 T	15-06-1999
			DE	59408304 D1	01-07-1999
			EP	0640393 A1	01-03-1995
			JP	2610111 B2	14-05-1997
			JP	7069360 A	14-03-1995
			US	5505308 A	09-04-1996
US 4852025	A	25-07-1989	DE	3617161 A1	26-11-1987
			AT	50646 T	15-03-1990
			DE	3761786 D1	05-04-1990
			EP	0247439 A2	02-12-1987
			HK	46393 A	21-05-1993
			JP	1808984 C	10-12-1993
			JP	5016745 B	05-03-1993
			JP	62285040 A	10-12-1987
			SG	17093 G	16-04-1993

EPC FORM P0459

For more details about this annex : see Official Journal of the European Patent Office, No. 12/82

ANNEX TO THE EUROPEAN SEARCH REPORT
ON EUROPEAN PATENT APPLICATION NO.

EP 02 07 6201

This annex lists the patent family members relating to the patent documents cited in the above-mentioned European search report. The members are as contained in the European Patent Office EDP file on
The European Patent Office is in no way liable for these particulars which are merely given for the purpose of information.

02-07-2002

Patent document cited in search report		Publication date		Patent family member(s)	Publication date
WO 9410558	A	11-05-1994	AU	5374594 A	24-05-1994
			EP	0667956 A1	23-08-1995
			WO	9410558 A1	11-05-1994
CH 677149	A	15-04-1991	CH	677149 A5	15-04-1991
			WO	9100998 A1	24-01-1991
			DE	59005357 D1	19-05-1994
			EP	0436679 A1	17-07-1991
			US	5695623 A	09-12-1997
EP 0567067	A	27-10-1993	JP	2903273 82	07-06-1999
			JP	6213903 A	05-08-1994
			DE	69319272 D1	30-07-1998
			DE	69319272 T2	05-11-1998
			EP	0567067 A1	27-10-1993
			US	5538688 A	23-07-1996

EPO FORM P4459

For more details about this annex : see Official Journal of the European Patent Office, No. 12/82